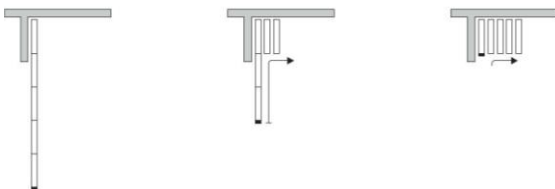
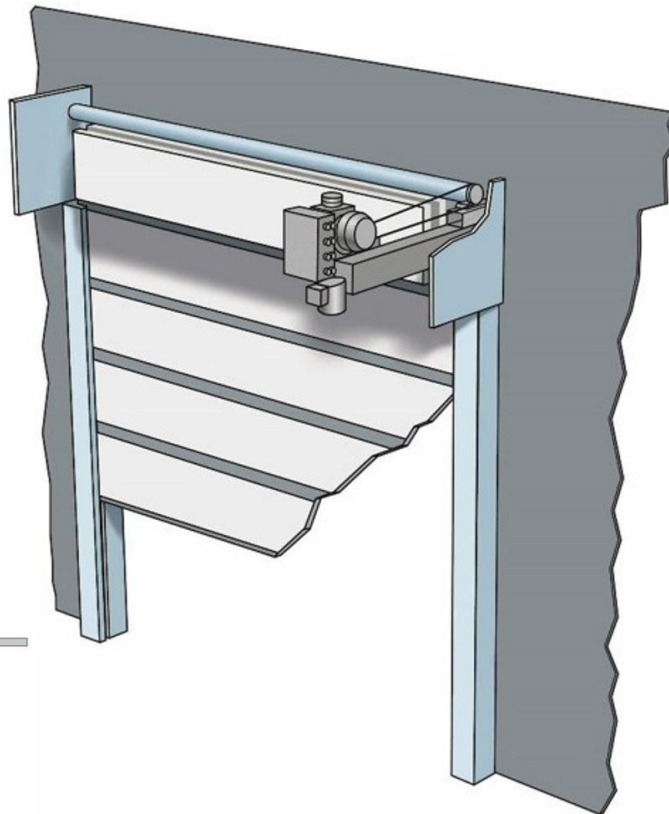


FIRE STACKING BARRIER A-60

PRODUCT OVERVIEW



Safety

- > Fall arrestor according to EN 12604.
- > Stacking Barrier will close without electrical power in case of fire (gravity failsafe).
- > Release device delivered with backup battery to keep the shutter open, even in case of main power supply failure for up to 1 hour.
- > Stacking Barrier only for bulkhead closure.

Interfaces

- > Connection to Central Fire Alarm system:
 - > Open indication
 - > Close indication
 - > General alarm
 - > Remote closing

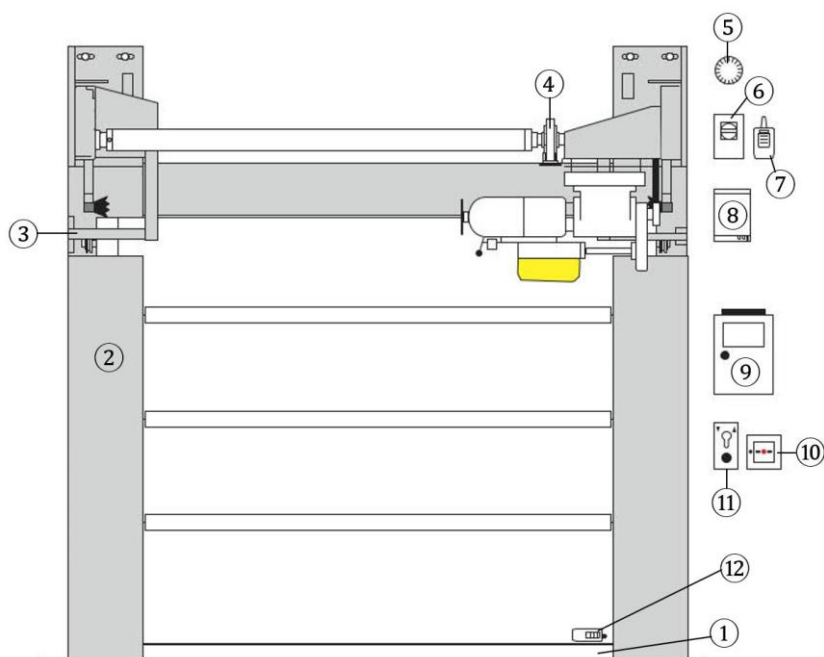
Services

- > Including technical evaluation of requirements and SOLAS standards.
- > Worldwide installation according to our service conditions, if required.
- > Worldwide service and supply of spare parts, maintenance and repair.

Documentation

- > Certificates (DNV/GL Module B & D, SDoC, DoC)
- > Instruction manuals
- > Maintenance manuals
- > Drawings
- > Spare part lists

FIRE STACKING BARRIER A-60



- ① Safety contact bar
- ② Guide
- ③ Safety bracket
- ④ Fall arrester
- ⑤ Siren with flashlight
- ⑥ Monitoring box
- ⑦ Receiver safety contact bar
- ⑧ Pneumatic reset system
- ⑨ Control unit
- ⑩ Release button
- ⑪ Key switch (1/ 0/ 2)
- ⑫ Transmitter safety contact bar

Technical details	
Available materials:	<ul style="list-style-type: none"> > Galvanized steel > AISI 304 > AISI 316L
Drive type:	Chain-drive

Size range	
Min. size:	c/o 1.000 mm x c/h 1.000 mm
Max. size:	c/o 6.400 mm x c/h 3.778 mm c/o 5.355 mm x c/h 4.543 mm
Max. surface:	24 m ²

The fire protection must give the emergency services the possibility to fight against the fire. To ensure this, KAEFER offers an array of solutions, which meet the highest quality and safety standards for fire protection.

Fire Safety Products from KAEFER are used on more than 600 vessels (cruise ships, mega yachts, ferries).

Power supply	
Operation voltage:	400/440 V AC, 50/60 Hz
Closing speed	
Max. 15 cm/s	

Certification	
Module B	MEDB00002EW
Module D	MEDD00000DN

All products complies the Hong Kong International Convention requirements.



Contact details

KAEFER Schiffsausbau GmbH
Getreidestr. 3
28217 Bremen

Mr. Jan-Timo Kolthammer
+49 421 6109 199
firedoors@kaefer.com

Visit our website or watch our product video for more information.



www.kaefer.com



Product video

If you have any further questions, do not hesitate to contact us.