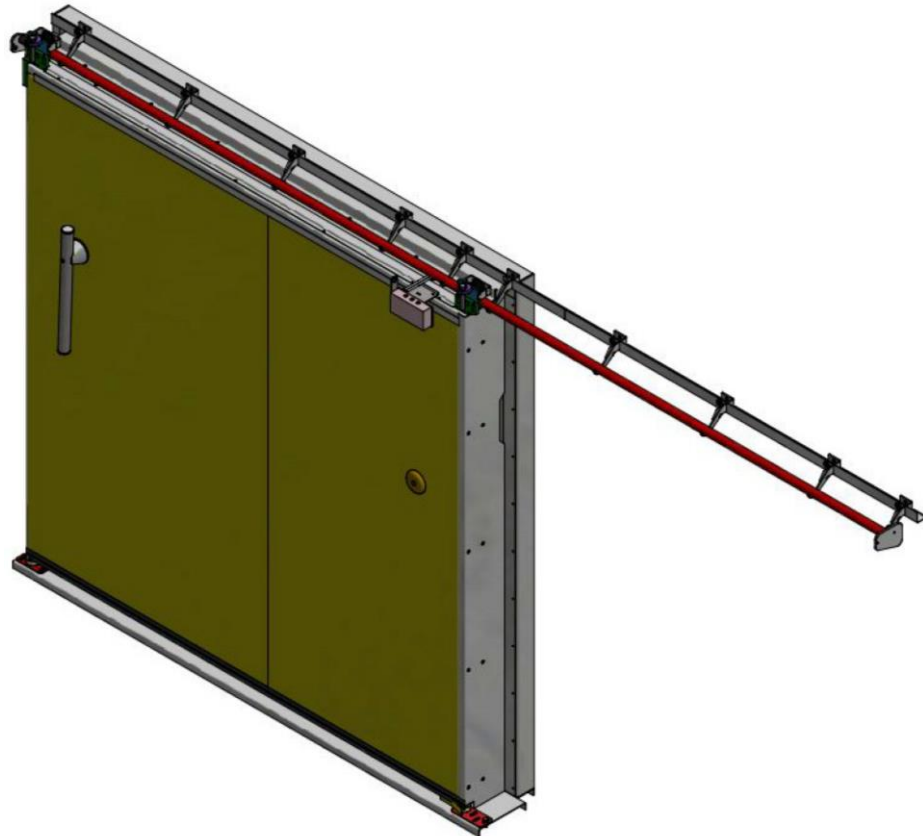


FIRE SLIDING DOOR A-60 FOR FREEZER & COLD ROOMS

PRODUCT OVERVIEW



Construction

- > Light weight construction.
- > According to USPH regulations.
- > Powder coated surface RAL, if required.
- > Easy installation and maintenance.

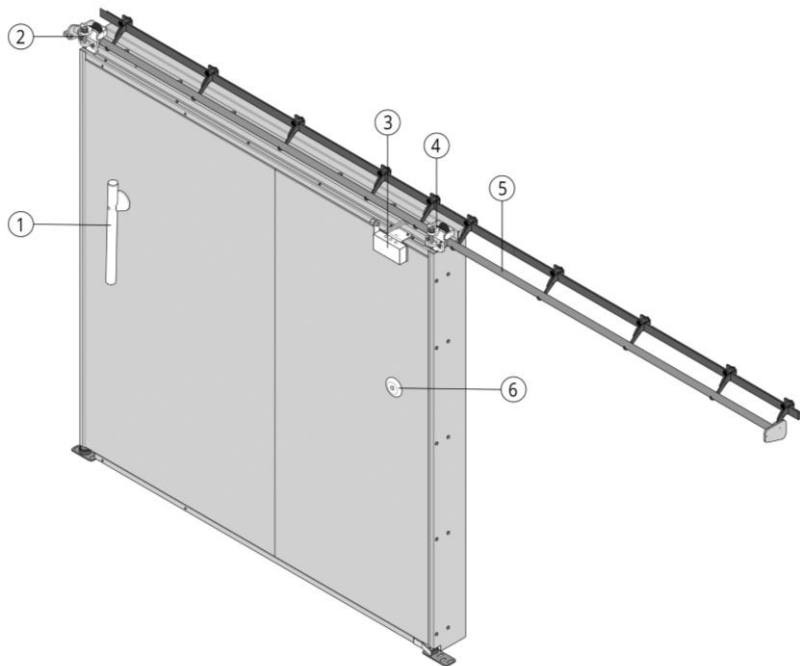
Services

- > Pre-assembled for simplified installation.
- > Europe-wide service, installation, maintenance and repair according to our service conditions, if required.
- > Worldwide supply of spare parts.

Documentation

- > Certificates (DNV/ GL Module B & D, SDoC, DoC).
- > Instruction and maintenance manuals.
- > Drawings.
- > Spare part lists.

FIRE SLIDING DOOR A-60 FOR FREEZER & COLD ROOMS



- ① Lever to open
- ② Front suspension
- ③ Terminal box
- ④ Rear suspension
- ⑤ Sliding rail
- ⑥ Block lock. Keyless opening from inside.

Technical details

Available materials:	<ul style="list-style-type: none"> > AISI 304 > AISI 316 > Powder coated surface RAL
----------------------	--

Power supply door leaf heating (Freezer doors, option)

Operation voltage:	230 V AC, 50/60 Hz
--------------------	--------------------

Size range

Max. size:	c/o 2.340 mm x c/h 2.100 mm
Max. surface:	4,93 m ²

Certification

Module B	MEDB00004T9 MEDB00004TB
Module D	MEDD00000DN

The fire protection must give the emergency services the possibility to fight against the fire.

To ensure this, KAEFER offers an array of solutions, which meet the highest quality and safety standards for fire protection.

Fire Safety Products from KAEFER are used on more than 600 vessels (cruise ships, mega yachts, ferries).

All products complies the Hong Kong International Convention requirements.

DNV·GL



Contact details

KAEFER Schiffsausbau GmbH
Am Lunedeich 15
27572 Bremerhaven

Mr. Hans-Joachim Adebahr
+49 471 7995 218
freezerdoors@kaefer.com

Visit our website or watch our product video for more information.



www.kaefer.com



Product video

If you have any further questions, do not hesitate to contact us.